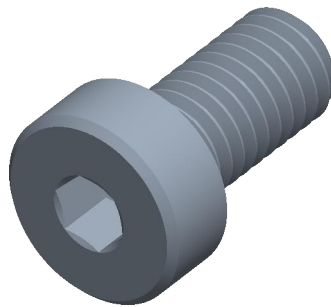

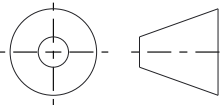


Notes:

1. **Specification:** DIN 7984
2. **Thread Diameter + Pitch:** M5X0.8
3. **Length:** 10mm
4. **Thread Amount:** Full Thread
5. **Threaded Length:** 10mm
6. **Unthreaded Length:** 0mm
7. **Material:** A2-70 Stainless Steel
8. **Finish:** Plain
9. **Head Diameter:** 8.5mm
10. **Head Height:** 3.5mm
11. **Drive:** 3mm Allen Socket
12. **Type Screw/Bolt:** Socket Low Head
13. **Thread Direction:** Right Hand
14. **Measurement System:** Metric



 find3dcad.com		THIRD ANGLE PROJECTION 	
This file and the related information are provided for reference only and may change without notice. FIND 3D CAD does not guarantee the accuracy, completeness, or suitability of this file or the information provided. You are responsible for how you use this file and its information.		This document is the property of FIND 3D CAD. The information in it may not be copied, shared, or given to any third party without written permission from FIND 3D CAD.	
DESCRIPTION Socket Low Head Stainless Steel A2 DIN 7984		TITLE Socket Low Head	
Sheet Size	PART NUMBER	Rev.	ISSUED
A	SLH-5X10LOWSS	01	2026-06-11
SCALE: 6.639		Unless otherwise specified Dimensions are in MILLIMETERS	