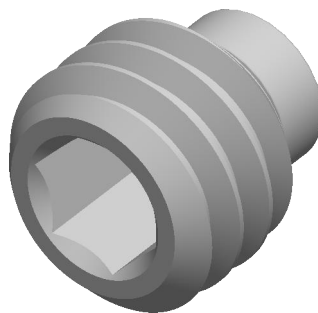

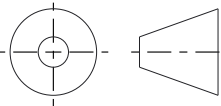


Notes:

1. **Category:** Set Screws
2. **System of Measurement:** Inch
3. **Head Style:** Headless
4. **Drive Style:** Hex Socket Drive
5. **Pitch:** UNC Coarse Thread
6. **Thread Length:** Full Thread
7. **Thread Direction:** Right-Hand Thread
8. **Point:** Half-Dog Point
9. **Material:** Steel
10. **Material Grade:** Alloy Steel
11. **Material Processes:** Heat Treated
12. **Coating:** Uncoated
13. **Hardness Rating:** Rockwell C45-C53
14. **Origin:** Made in U.S.A.
15. **Standards and Specifications:** ASME B18.3



 https://test.find3dcad.com/		THIRD ANGLE PROJECTION 	
This file and the related information are provided for reference only and may change without notice. FIND 3D CAD does not guarantee the accuracy, completeness, or suitability of this file or the information provided. You are responsible for how you use this file and its information.		This document is the property of FIND 3D CAD. The information in it may not be copied, shared, or given to any third party without written permission from FIND 3D CAD.	
DESCRIPTION 5/16"-18 X 5/16" Hex Socket Set Screws, Half-Dog Point, UNC Coarse Thread, Alloy Steel, Made in U.S.A.		TITLE Set Screw	
Sheet Size	PART NUMBER	Rev.	ISSUED
A	V3D-SO025-51618X516	01	2026-06-03
SCALE: 8.000		Unless otherwise specified Dimensions are in INCHES	