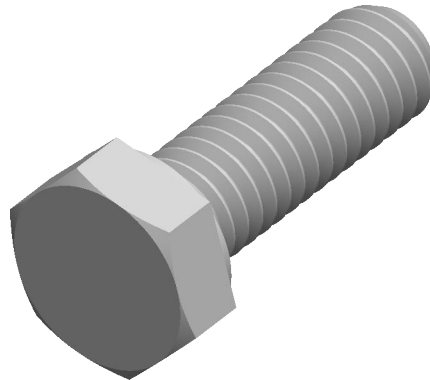

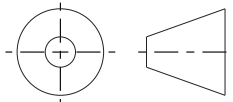


Notes:

1. **Category:** Cap Screws
2. **System of Measurement:** Inch
3. **Head Style:** Hex Head
4. **Head Style Detail:** Washer Face
5. **Drive Style:** External Hex Drive
6. **Pitch:** Coarse Thread
7. **Thread Direction:** Right-Hand Thread
8. **Point:** Chamfered Point
9. **Material:** Stainless Steel
10. **Material Grade:** 18-8 Stainless Steel
11. **Coating:** Uncoated
12. **Origin:** Made in U.S.A.
13. **Standards and Specifications:** MS35307 Rev E, DFARS



 <a href="https://test.find3dcad.com/">https://test.find3dcad.com/</a>		<b>THIRD ANGLE PROJECTION</b> 	
This file and the related information are provided for reference only and may change without notice. FIND 3D CAD does not guarantee the accuracy, completeness, or suitability of this file or the information provided. You are responsible for how you use this file and its information.		This document is the property of FIND 3D CAD. The information in it may not be copied, shared, or given to any third party without written permission from FIND 3D CAD.	
<b>DESCRIPTION</b> 5/16"-18 X 1" Hex Head Cap Screws Bolts, Coarse Thread, Stainless Steel, MS35307 Rev E, DFARS		<b>TITLE</b> <b>Hex Cap Screw</b>	
Sheet Size	PART NUMBER	Rev.	ISSUED
<b>A</b>	V3D-MI027-51618X1	01	2026-06-04
SCALE: 3.862		Unless otherwise specified Dimensions are in INCHES	