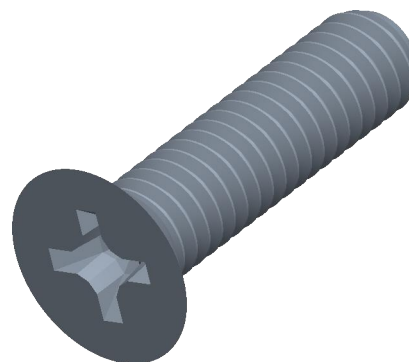

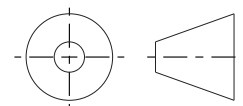


Notes:

1. **Specification:** DIN 965
2. **Thread Diameter + Pitch:** M2.5X0.45
3. **Overall Length:** 10mm
4. **Thread Amount:** Full Thread
5. **Material:** Class 4.8 Steel
6. **Finish:** Zinc Plated
7. **Head Diameter:** 4.7mm
8. **Head Height:** 1.5mm
9. **Drive:** H1 / Phillips #1
10. **Type Screw/Bolt:** Flat Head Bolt/Screw
11. **Thread Direction:** Right Hand
12. **Measurement System:** Metric



 find3dcad.com		THIRD ANGLE PROJECTION 	
<p>This file and the related information are provided for reference only and may change without notice. FIND 3D CAD does not guarantee the accuracy, completeness, or suitability of this file or the information provided. You are responsible for how you use this file and its information.</p>		<p>This document is the property of FIND 3D CAD. The information in it may not be copied, shared, or given to any third party without written permission from FIND 3D CAD.</p>	
DESCRIPTION Flat Head Bolt Steel Class 4.8 Zinc DIN 965		TITLE Flat Head Bolt	
Sheet Size	PART NUMBER	Rev.	ISSUED
A	FHB-2-5X10CLZ	01	2026-06-13
SCALE: 10.799		Unless otherwise specified Dimensions are in MILLIMETERS	