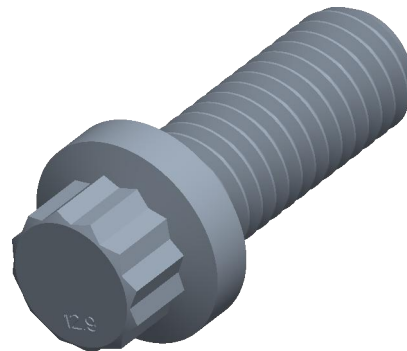

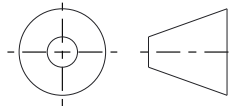


Notes:

1. **Specification:** ASME B18.2.5.M
2. **Thread Diameter + Pitch:** M8X1.25
3. **Length:** 20mm
4. **Thread Amount:** Full Thread
5. **Threaded Length:** 20mm
6. **Unthreaded Length:** 0mm
7. **Material:** Class 12.9 Steel
8. **Finish:** Black Oxide
9. **Flange Type:** Smooth
10. **Flange Width:** 12.95mm
11. **Flange Thickness:** 3.35mm
12. **Head Height:** 8mm
13. **Drive:** 8mm 12-Point Wrench
14. **Type Screw/Bolt:** 12-pt Flange
15. **Thread Direction:** Right Hand
16. **Measurement System:** Metric



 <a href="http://find3dcad.com">find3dcad.com</a>		<b>THIRD ANGLE PROJECTION</b> 	
<p>This file and the related information are provided for reference only and may change without notice. FIND 3D CAD does not guarantee the accuracy, completeness, or suitability of this file or the information provided. You are responsible for how you use this file and its information.</p>		<p>This document is the property of FIND 3D CAD. The information in it may not be copied, shared, or given to any third party without written permission from FIND 3D CAD.</p>	
<b>DESCRIPTION</b> 12-Point Flange Steel Class 12.9 Black ASME B18.2.5.M		<b>TITLE</b> <b>12-Point Flange</b>	
Sheet Size	PART NUMBER	Rev.	ISSUED
<b>A</b>	12PF-8X20BLK	01	2026-06-11
SCALE: 3.939		Unless otherwise specified Dimensions are in MILLIMETERS	