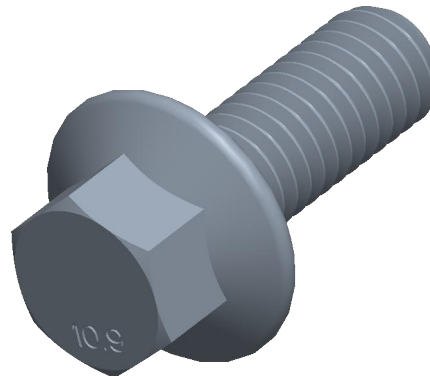

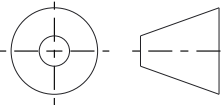


Notes:

1. **Specification:** ISO 4162
2. **Thread Diameter + Pitch:** M6X1.0
3. **Length:** 16mm
4. **Thread Amount:** Full Thread
5. **Threaded Length:** 16mm
6. **Unthreaded Length:** 0mm
7. **Material:** Class 10.9 Steel
8. **Finish:** Yellow Zinc Plated
9. **Flange Type:** Smooth
10. **Flange Width:** 13.6mm
11. **Head Height:** 6.8mm
12. **Drive:** 8mm Wrench
13. **Type Screw/Bolt:** Hex Flange Head
14. **Thread Direction:** Right Hand
15. **Measurement System:** Metric



 https://test.find3dcad.com/		THIRD ANGLE PROJECTION 	
<p>This file and the related information are provided for reference only and may change without notice. FIND 3D CAD does not guarantee the accuracy, completeness, or suitability of this file or the information provided. You are responsible for how you use this file and its information.</p>		<p>This document is the property of FIND 3D CAD. The information in it may not be copied, shared, or given to any third party without written permission from FIND 3D CAD.</p>	
DESCRIPTION M6 Flange Bolt Steel Class 10.9 Zinc ISO 4162 / 8mm Wrench		TITLE Hex Flange Bolts	
Sheet Size	PART NUMBER	Rev.	ISSUED
A	V3D-BFI6X16YLW	01	2026-06-04
SCALE: 5.034		Unless otherwise specified Dimensions are in MILLIMETERS	