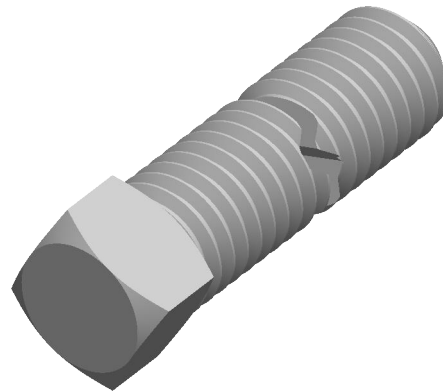

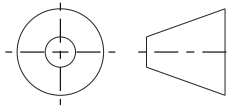


Notes:

1. **Category:** Set Screws
2. **System of Measurement:** Inch
3. **Head Style:** Square Head
4. **Drive Style:** External Square Drive
5. **Pitch:** Coarse Thread
6. **Thread Length:** Full Thread
7. **Thread Direction:** Right-Hand Thread
8. **Point:** Flat Point
9. **Material:** Steel
10. **Material Grade:** Low Carbon Steel
11. **Material Processes:** Case Hardened
12. **Coating:** Uncoated
13. **Origin:** Origin Undefined
14. **Standards and Specifications:** ASME B18.6.2



 <a href="https://test.find3dcad.com/">https://test.find3dcad.com/</a>		<b>THIRD ANGLE PROJECTION</b> 	
<p>This file and the related information are provided for reference only and may change without notice. FIND 3D CAD does not guarantee the accuracy, completeness, or suitability of this file or the information provided. You are responsible for how you use this file and its information.</p>		<p>This document is the property of FIND 3D CAD. The information in it may not be copied, shared, or given to any third party without written permission from FIND 3D CAD.</p>	
<b>DESCRIPTION</b> 1/2"-13 X 3" Set Screws, Square Head, Flat Point, Steel		<b>TITLE</b> Set Screw	
Sheet Size	PART NUMBER	Rev.	ISSUED
<b>A</b>	V3D-SO098-1213X3	01	2026-06-03
SCALE: 2.695		Unless otherwise specified Dimensions are in INCHES	