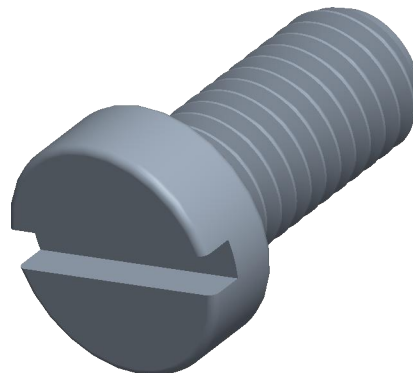

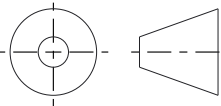


Notes:

1. **Specification:** DIN 84
2. **Thread Diameter + Pitch:** M10X1.5
3. **Length:** 20mm
4. **Thread Amount:** Full Thread
5. **Material:** Brass
6. **Finish:** Plain
7. **Head Diameter:** 16mm
8. **Head Height:** 6mm
9. **Drive:** Slotted
10. **Type Screw/Bolt:** Cheese Head Bolt/Screw
11. **Thread Direction:** Right Hand
12. **Measurement System:** Metric



 find3dcad.com		THIRD ANGLE PROJECTION 	
This file and the related information are provided for reference only and may change without notice. FIND 3D CAD does not guarantee the accuracy, completeness, or suitability of this file or the information provided. You are responsible for how you use this file and its information.		This document is the property of FIND 3D CAD. The information in it may not be copied, shared, or given to any third party without written permission from FIND 3D CAD.	
DESCRIPTION Cheese Head Bolt Corrosion Resistant Brass DIN 84		TITLE Cheese Head Bolt	
Sheet Size	PART NUMBER	Rev.	ISSUED
A	CHB-10X20BRS	01	2026-06-13
SCALE: 3.780		Unless otherwise specified Dimensions are in MILLIMETERS	