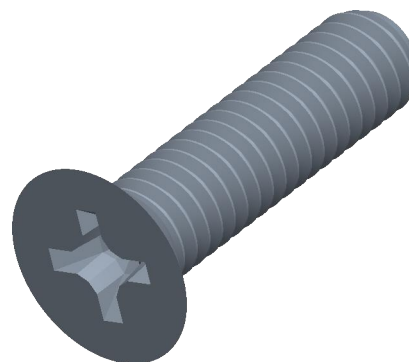

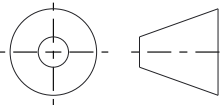


Notes:

1. **Specification:** DIN 965
2. **Thread Diameter + Pitch:** M2.5X0.45
3. **Overall Length:** 10mm
4. **Thread Amount:** Full Thread
5. **Material:** Class 4.8 Steel
6. **Finish:** Zinc Plated
7. **Head Diameter:** 4.7mm
8. **Head Height:** 1.5mm
9. **Drive:** H1 / Phillips #1
10. **Type Screw/Bolt:** Flat Head Bolt/Screw
11. **Thread Direction:** Right Hand
12. **Measurement System:** Metric



|   |               |   |            |
|---|---------------|---|------------|
| <br><a href="http://find3dcad.com">find3dcad.com</a>  |               | <b>THIRD ANGLE PROJECTION</b><br>  |            |
| This file and the related information are provided for reference only and may change without notice. FIND 3D CAD does not guarantee the accuracy, completeness, or suitability of this file or the information provided. You are responsible for how you use this file and its information. |               | This document is the property of FIND 3D CAD. The information in it may not be copied, shared, or given to any third party without written permission from FIND 3D CAD. |            |
| <b>DESCRIPTION</b><br>Flat Head Bolt<br>Steel Class 4.8 Zinc<br>DIN 965   |               | <b>TITLE</b><br>Flat Head Bolt  |            |
| Sheet Size  | PART NUMBER   | Rev.  | ISSUED     |
| <b>A</b>  | FHB-2-5X10CLZ | 01  | 2026-06-09 |
| SCALE: 10.799   |               | Unless otherwise specified Dimensions are in MILLIMETERS  |            |