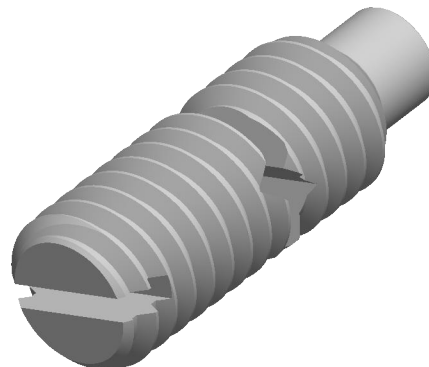

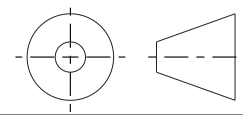


Notes:

1. **Category:** Set Screws
2. **System of Measurement:** Metric
3. **Head Style:** Headless
4. **Drive Style:** Slotted Drive
5. **Thread Length:** Full Thread
6. **Thread Direction:** Right-Hand Thread
7. **Point:** Long Dog Point
8. **Material:** Stainless Steel
9. **Material Grade:** A2 Stainless Steel
10. **Coating:** Uncoated
11. **Origin:** Origin Undefined
12. **Standards and Specifications:** DIN 417 / ISO 7435



 <a href="https://test.find3dcad.com/">https://test.find3dcad.com/</a>		<b>THIRD ANGLE PROJECTION</b> 	
<p>This file and the related information are provided for reference only and may change without notice. FIND 3D CAD does not guarantee the accuracy, completeness, or suitability of this file or the information provided. You are responsible for how you use this file and its information.</p>		<p>This document is the property of FIND 3D CAD. The information in it may not be copied, shared, or given to any third party without written permission from FIND 3D CAD.</p>	
<b>DESCRIPTION</b> M4-0.7 X 20mm DIN 417 / ISO 7435, Metric, Slotted Set Screws, Long Dog Point, Full Thread, A2 Stainless Steel		<b>TITLE</b> <b>Set Screws</b>	
Sheet Size	PART NUMBER	Rev.	ISSUED
<b>A</b>	V3D-ME544-407X20	01	2026-06-08
SCALE: 10.319		Unless otherwise specified Dimensions are in MILLIMETERS	