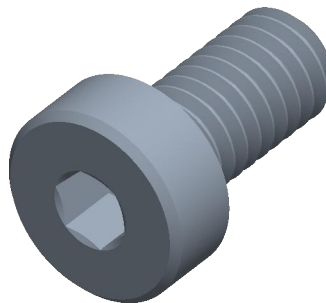

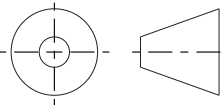


Notes:

1. **Specification:** DIN 7984
2. **Thread Diameter + Pitch:** M4X0.7
3. **Length:** 8mm
4. **Thread Amount:** Full Thread
5. **Threaded Length:** 8mm
6. **Unthreaded Length:** 0mm
7. **Material:** A2-50 Stainless Steel
8. **Finish:** Plain
9. **Head Diameter:** 7mm
10. **Head Height:** 2.8mm
11. **Drive:** 2.5mm Allen Socket
12. **Type Screw/Bolt:** Socket Low Head
13. **Thread Direction:** Right Hand
14. **Measurement System:** Metric



 <a href="http://find3dcad.com">find3dcad.com</a>		<b>THIRD ANGLE PROJECTION</b> 	
<p>This file and the related information are provided for reference only and may change without notice. FIND 3D CAD does not guarantee the accuracy, completeness, or suitability of this file or the information provided. You are responsible for how you use this file and its information.</p>		<p>This document is the property of FIND 3D CAD. The information in it may not be copied, shared, or given to any third party without written permission from FIND 3D CAD.</p>	
<b>DESCRIPTION</b> Socket Low Head Stainless Steel A2 DIN 7984		<b>TITLE</b> <b>Socket Low Head</b>	
Sheet Size	PART NUMBER	Rev.	ISSUED
<b>A</b>	<b>SLH-4X8LOWSS</b>	<b>01</b>	<b>2026-06-09</b>
SCALE: 8.205		Unless otherwise specified Dimensions are in MILLIMETERS	