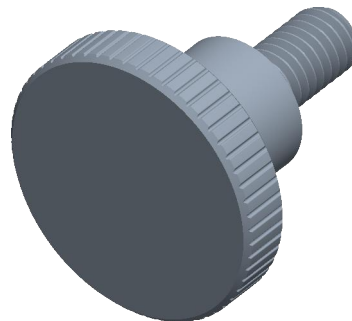

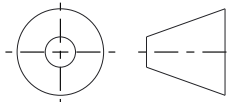


Notes:

1. **Specification:** DIN 464
2. **Thread Diameter + Pitch:** M6X1.0
3. **Length:** 12mm
4. **Thread Amount:** Full Thread
5. **Material:** Stainless Steel
6. **Finish:** Plain
7. **Collar Height:** 10.0mm
8. **Collar Diameter:** 12mm
9. **Head Diameter:** 24mm
10. **Head Height:** 5mm
11. **Type Screw/Bolt:** Thumb Bolt/Screw
12. **Thread Direction:** Right Hand
13. **Measurement System:** Metric



 https://test.find3dcad.com/		THIRD ANGLE PROJECTION 	
<p>This file and the related information are provided for reference only and may change without notice. FIND 3D CAD does not guarantee the accuracy, completeness, or suitability of this file or the information provided. You are responsible for how you use this file and its information.</p>		<p>This document is the property of FIND 3D CAD. The information in it may not be copied, shared, or given to any third party without written permission from FIND 3D CAD.</p>	
DESCRIPTION M6X1.0 Thumb Screw DIN 464 Knurled Head A2 Stainless Steel, High Type		TITLE Thumb Screws	
Sheet Size	PART NUMBER	Rev.	ISSUED
A	V3D-BTHUMB6X12SS	01	2026-06-05
SCALE: 2.910		Unless otherwise specified Dimensions are in MILLIMETERS	