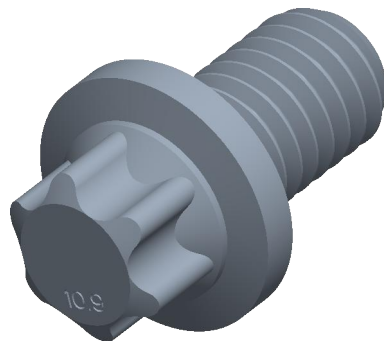

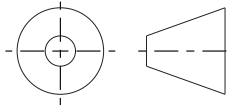


Notes:

1. **Specification:** DIN 34800
2. **Thread Diameter + Pitch:** M6X1.0
3. **Length:** 10mm
4. **Thread Amount:** Full Thread
5. **Threaded Length:** 10mm
6. **Unthreaded Length:** 0mm
7. **Material:** Class 10.9 Steel
8. **Finish:** Zinc Plated
9. **Flange Type:** Smooth
10. **Flange Width:** 10.88mm
11. **Head Height:** 6.5mm
12. **Drive:** Torx E8
13. **Type Screw/Bolt:** External Torx Flange
14. **Thread Direction:** Right Hand
15. **Measurement System:** Metric



 <a href="http://find3dcad.com">find3dcad.com</a>		<b>THIRD ANGLE PROJECTION</b> 	
<p>This file and the related information are provided for reference only and may change without notice. FIND 3D CAD does not guarantee the accuracy, completeness, or suitability of this file or the information provided. You are responsible for how you use this file and its information.</p>		<p>This document is the property of FIND 3D CAD. The information in it may not be copied, shared, or given to any third party without written permission from FIND 3D CAD.</p>	
<b>DESCRIPTION</b> External Torx Flange Steel Class 10.9 Zinc DIN 34800 Six-Lobe		<b>TITLE</b> <b>External Torx Flange</b>	
Sheet Size	PART NUMBER	Rev.	ISSUED
<b>A</b>	<b>ETF-6X10CLZ</b>	<b>01</b>	<b>2026-06-13</b>
SCALE: 5.891		Unless otherwise specified Dimensions are in MILLIMETERS	